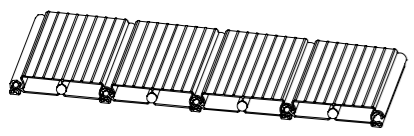
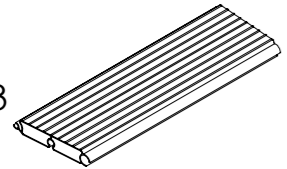
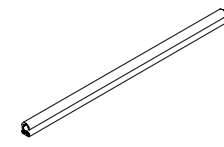
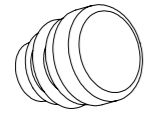

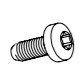
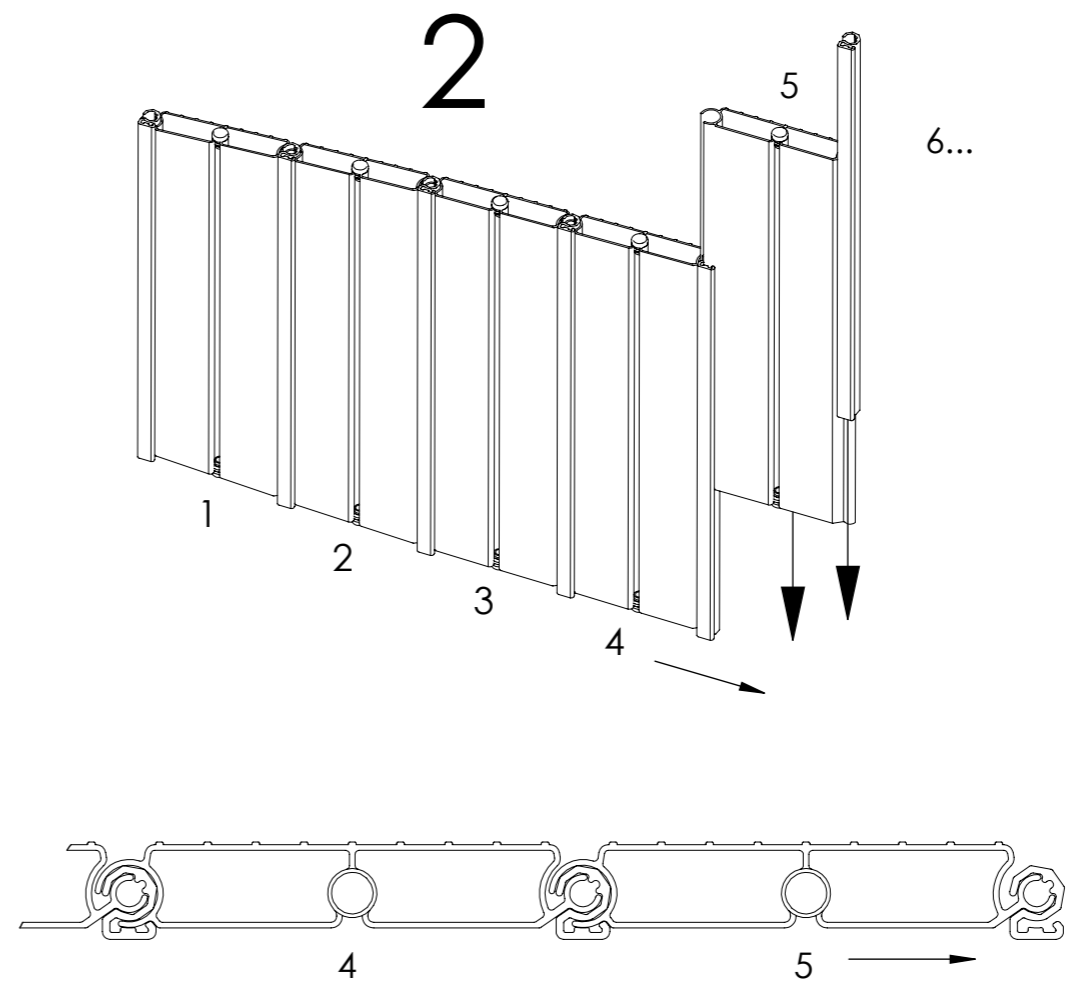
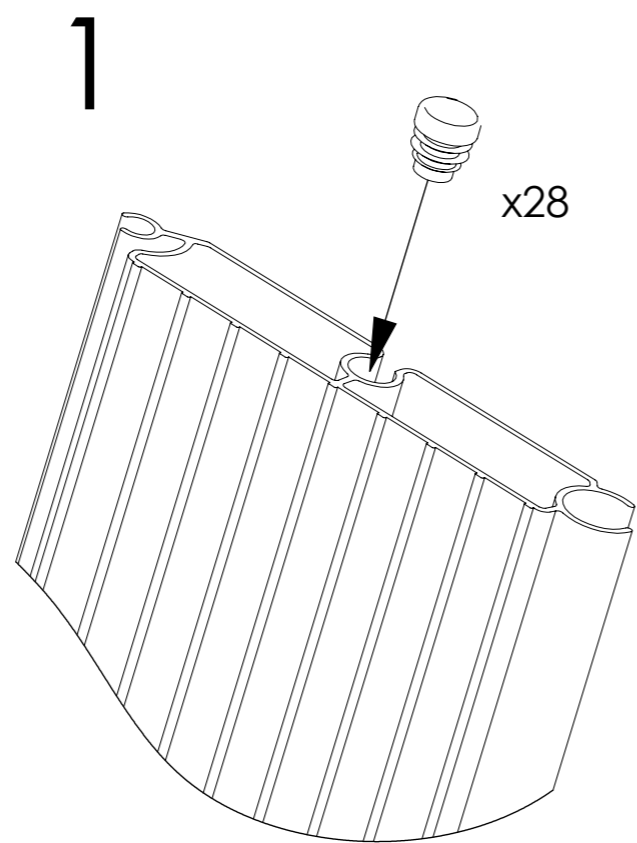


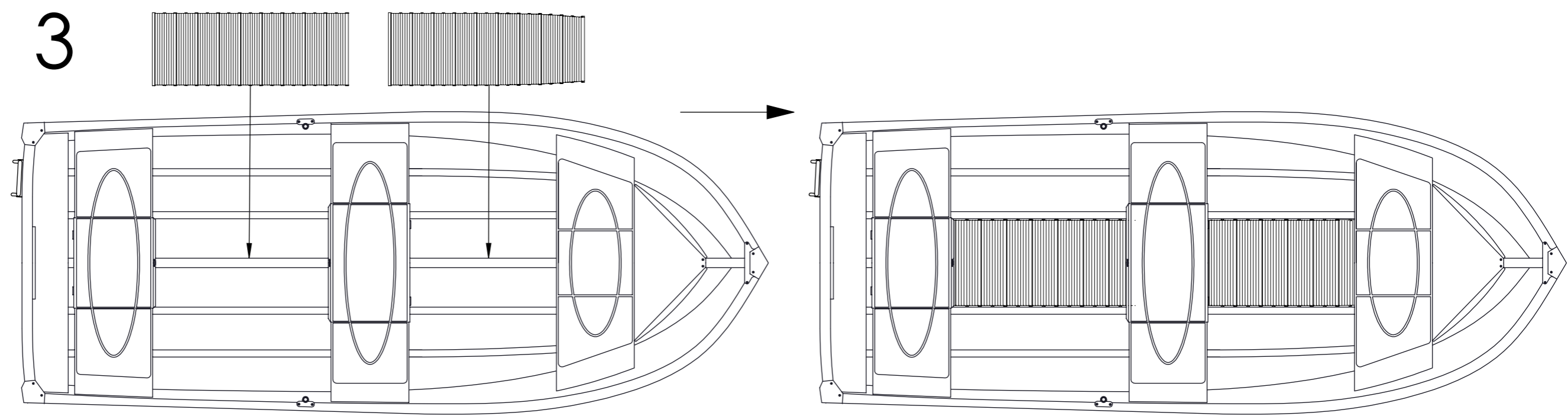
# Aluminiumdurk 400 Sportsman

Art.Nr: 610400

-  x1
-  811353 x14
-  811374 x15
-  811086 x28
-  211127 x2
-  810157 x2



- |    |
|----|
| 1  |
| 2  |
| 3  |
| 4  |
| 5  |
| 6  |
| 7  |
| 8  |
| 9  |
| 10 |
| 11 |
| 12 |
| 13 |
| 14 |
| 15 |
| 16 |
| 17 |
| 18 |



Aluminiumdurk 400 Sportsman  
Art.nr: 610400

4

Till -2016

